

FEATURES:

- Unipolar power supply
- Low power
- Simple use

EVM FOR:

- Prototyping & Testing
- Portable dosimeter
- Personal dose monitor
- Nuclear monitoring
- Gamma-ray spectrometer
- Learning Scintillator-Photodiode principle
- Education & Experiment



Table 1 - ABSOLUTE MAXIMUM RATINGS

Name	Value
Supply voltage, Vcc	+ 5.5 V
Bias Voltage, Vbias	210 V

Table 2 - SPECIFICATIONS

Name	Min.	Recommended/ Set-point	Max.
Supply voltage, Vcc ⁽¹⁾		+5 V	
Bias Voltage, Vbias ⁽¹⁾	> 0V		200V
Current consumption		~2 mA	
Weight, grams			30

(1) A low noise, low ripple, high stability recommended.

DATASHEETS:

CSA-250/ α -CSA: https://scintillators.ru/datasheet/CSA-250_EN.pdf

SA-25: https://scintillators.ru/datasheet/SA-25_EN.pdf

EXAMPLE SIGNAL OUTPUT

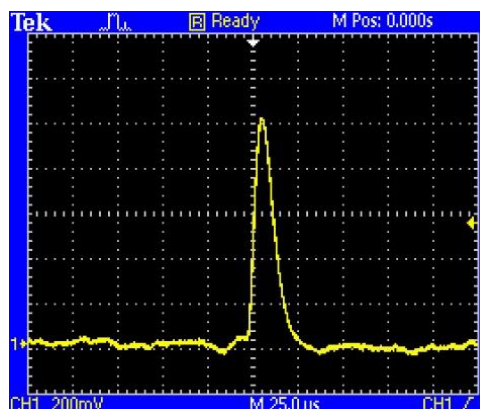


Fig. 1. The form of the output signal



ATTENTION! The device may be damaged by electrostatic discharge (ESD).

Electrostatic damage may range from partial derating to complete device failure.

EVM

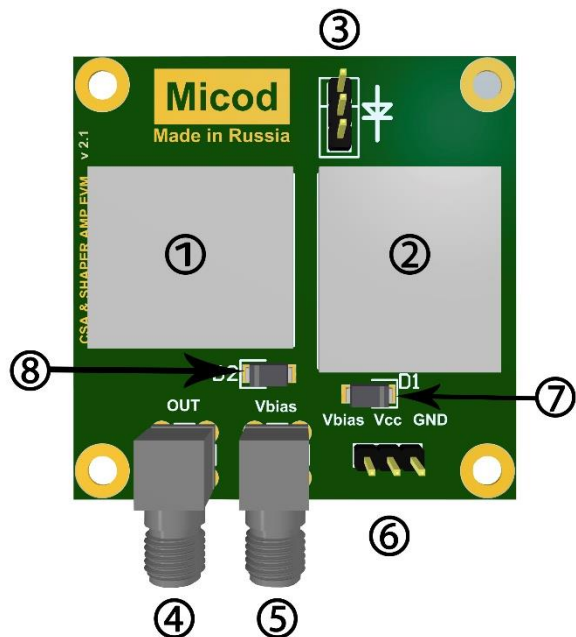


Fig. 2. EVM board⁽¹⁾.

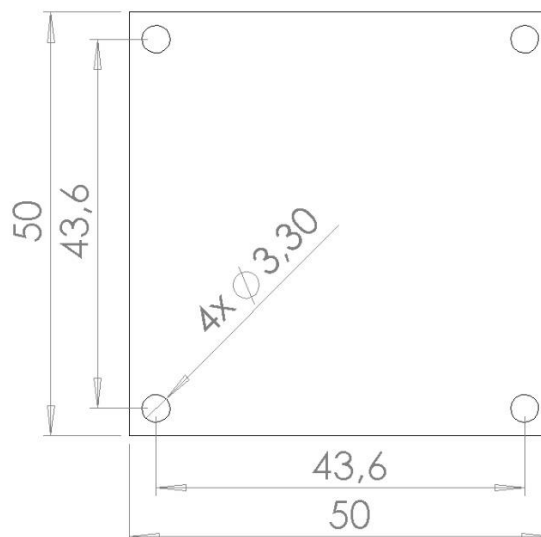


Fig. 3. EVM board dimensions.

- 1 Shaper-amplifier (SA) module;
- 2 Charge sensitive amplifier (CSA) module;
- 3 Detector (Photodiode, Alpha detector, etc) connector. Soldering recommended.
- 4 OUT signal connector (SMA connector);
- 5 Vbias connector (SMA connector);
- 6 Power connector (Vbias, +Vcc, GND);
- 7 Power protection TVS diode (SMAJ5.0CA or analog);
- 8 Bias protection TVS diode (not set by default).

(1) PCB Color or Surface Finish done at the discretion of the manufacturer. Typically: PCB Color- green, Surface Finish-ENIG.

CONNECTION DIAGRAM

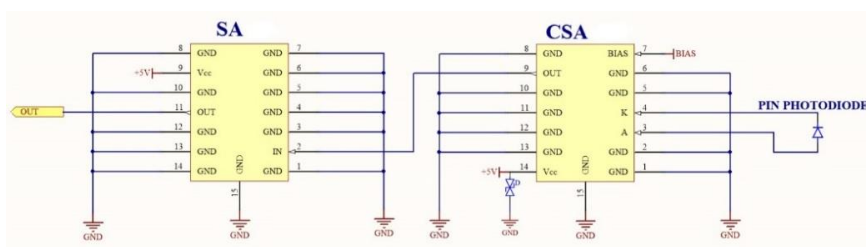


Fig. 4. Main connection diagram.

Contacts and order: info@scintillators.ru

Web: <https://scintillators.ru>

OEM PRODUCTS PURCHASE AND USE CONDITIONS

Products of the OEM category are not intended for the end user. Products of this category are designed exclusively for developers and manufacturers of electronic equipment. Manufacturer of this product can not check the conditions of use and storage, compliance with the requirements of "absolute electrical values" and "parameters" sections, other requirements listed in product documentation, or customer technical expertise. By purchasing this product, you agree that this product is not subjected to return or replacement. The manufacturer ensures the QC of the entire batch of products before shipment to the customer.